

V2➤

ELECTRONIC SOFT STARTER

Easy to drive



POWER ELECTRONICS

The V2 Series is part of the Power Electronics soft starter family. Equipped with advanced technology in motor control and protection, the V2 has been designed in a more compact form, unifying spare parts and giving the flexibility of installation in both IP00 and IP54 versions.



As well as the total protection provided to the motor, the smooth start and stop action offered by the V2 has benefited numerous applications.

Pumps, fans, conveyors, compressors, shakers, mixers, grinders, crushers, lifters, crains, elevators, etc. are some examples of the V2 Series applications.

V2 SERIES

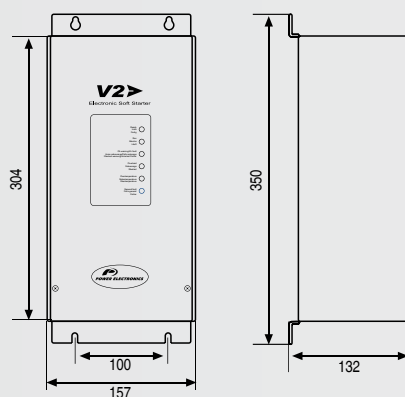
> dimensions and standard ratings



FRAME 1

IP00: V2009 - V2075

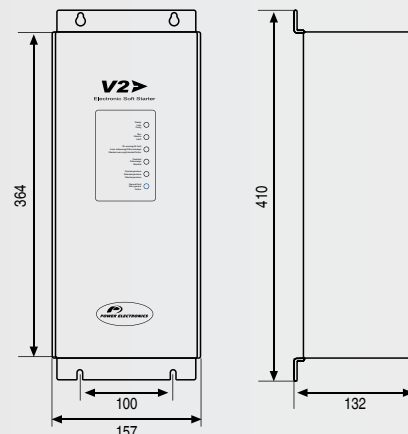
IP54: V2009B - V2045B



DT0054

FRAME 2

IP54: V2060B - V2075B



DT0092

230V to 400V (±10%)

FRAME	CODE	I(A) Rated	POWER (Kw) at 230V	POWER (Kw) at 400V	DIMENSIONS (mm)	IP PROTECTION
1	V2009	9	2.2	4	350x157x132	IP00
	V2017	17	4	7,5	350x157x132	IP00
	V2030	30	9	15	350x157x132	IP00
	V2045	45	15	22	350x157x132	IP00
	V2060*	60	18.5	30	350x157x132	IP00
	V2075*	75	22	37	350x157x132	IP00
	V2009B*	9	2,2	4	350x157x132	IP54
	V2017B*	17	4	7,5	350x157x132	IP54
	V2030B*	30	9	15	350x157x132	IP54
	V2045B*	45	15	22	350x157x132	IP54
2	V2060B*	60	18.5	30	410x157x132	IP54
	V2075B*	75	22	37	410x157x132	IP54



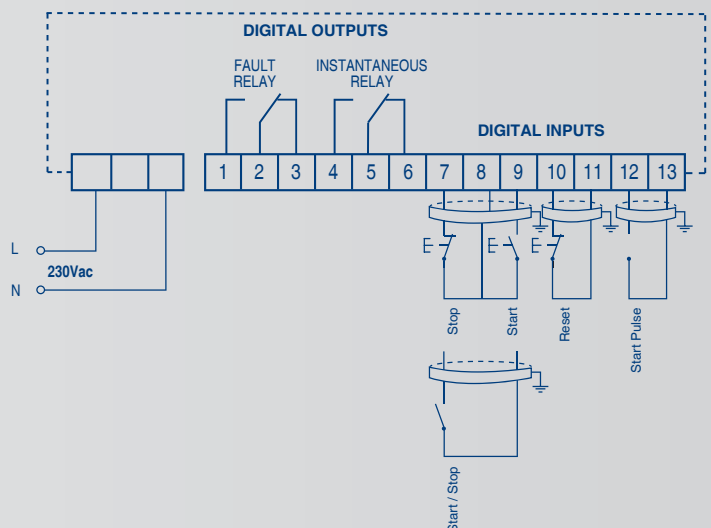
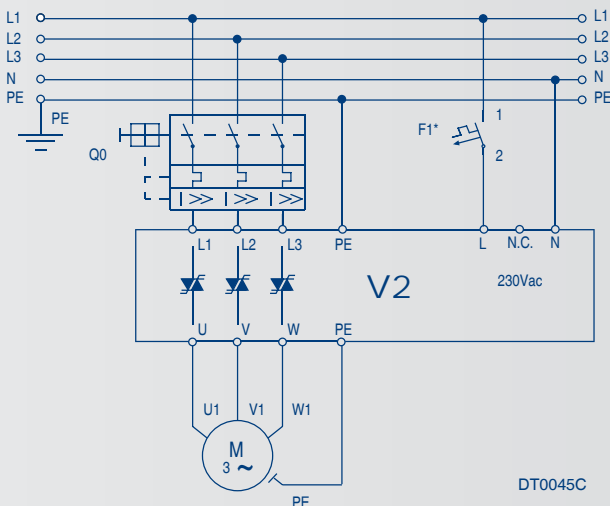
Note: The references signed with (*) do have an integrated BYPASS function. The motor protection is operating all the time.

V2 SERIES > technical specifications

INPUT	Input voltage	230 - 400V(~3 phases), ±10%
	Frequency	47 - 62 Hz
	Control voltage	230V ±10%, others under demand
OUTPUT	Output voltage	0 - 100% of input voltage
	Output frequency	47 - 62 Hz
	Efficiency (at full load)	> 99%
ENVIRONMENTAL CONDITIONS	Ambient temperature	Operation: 0°C to +40°C. Without Bypass Operation: 0°C to +50°C. With built in Bypass Storage: -10°C to +70°C
	Altitude de-rating	>1000m 1% per 100m, maximum 3000m
	Humidity	95% at 40°C non-condensing
	Protection degree	IP00; IP54
	Cooling	Natural
MOTOR PROTECTIONS	Input phase loss	
	Starting current limit	
	Rotor locked	
	Motor overload (thermal model)	
	Underload	
	Phases imbalance	
V2 PROTECTIONS	General fault	
	V2 overtemperature	
SETTINGS	Initial torque	30 to 99%
	Acceleration ramp	0 to 15 sec
	Deceleration ramp	0 to 45 sec
	Overload	0.8 to 1.2 In
	Overload curve	1 to 10
	Underload	0.2 to 0.6 In
	Underload curve	1 to 10
	Current limit	1 to 5 In
AUXILIARY CONTACTS	2 change over relays 5A, 230Vac	Fault relay Instantaneous relay
	LED'S INDICATION	LED 1 Ready LED 2 Start LED 3 Overload warning / Underload fault LED 4 Overload LED 5 Overtemperature LED 6 General fault
ELECTRIC SAFETY REGULATIONS	UNE-EN 60947-4-2:98	UNE-EN 60204-1:1999
	UNE-EN 50178:98	UNE-EN 50081-1:94



V2 SERIES > power electronics & control wiring



*Note: Minimum protection recommended for F1, 1A.



www.power-electronics.com

HEAD OFFICE ■

SPAIN

Leonardo da Vinci, 24 - 26
Parque Tecnológico
46980 • PATERNA • VALENCIA • SPAIN
Tel. 902 40 20 70
Tel. (+34) 96 136 65 57
Fax (+34) 96 131 82 01

■ BRANCHES

AUSTRALIA

Power Electronics Australia Pty Ltd
U6, 30-34 Octal St, Yatala,
BRISBANE, QUEENSLAND 4207
P.O. Box 3166,
Browns Plains, Queensland 4118
AUSTRALIA
Tel. (+61) 7 3386 1993
Fax. (+61) 7 3386 1997

GERMANY

Power Electronics Deutschland GmbH
Conradysstrasse, 41
D-90441 NÜRNBERG • GERMANY
Tel. (+49) 911 99 43 99 0
Fax. (+49) 911 99 43 99 8

CHINA

Power Electronics Guangzhou
Room 3608 (IVEX) CITIC Plaza Building
233, TianHe North Road
510613 GUANGZHOU
GUANGDONG • P.R. CHINA
Tel. (+86) 20 87 520 092
Fax. (+86) 20 38 773 559

KOREA

Power Electronics Asia HQ Co.
Room #305, SK Hub Primo Building
953-1, Dokok-dong, Gangnam-gu
SEOUL, 135-270 • KOREA
Tel. (+82) 2 3462 4656
Fax. (+82) 2 3462 4657