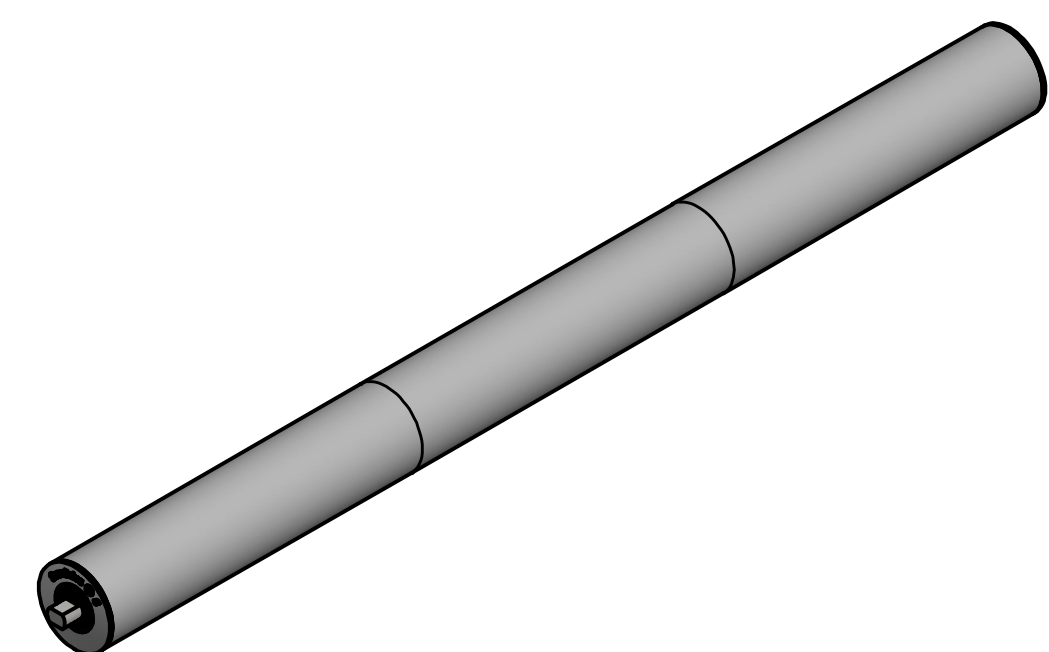
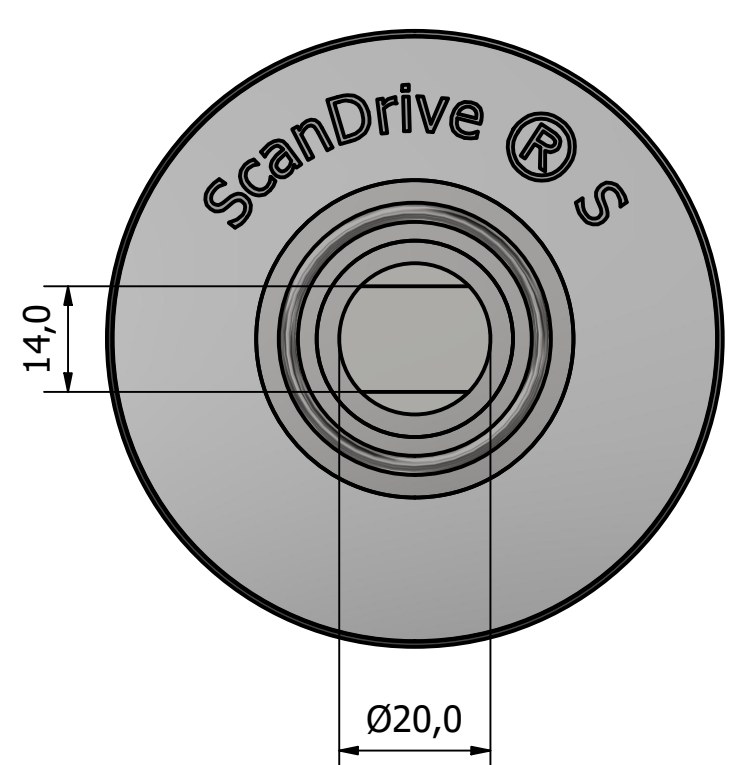
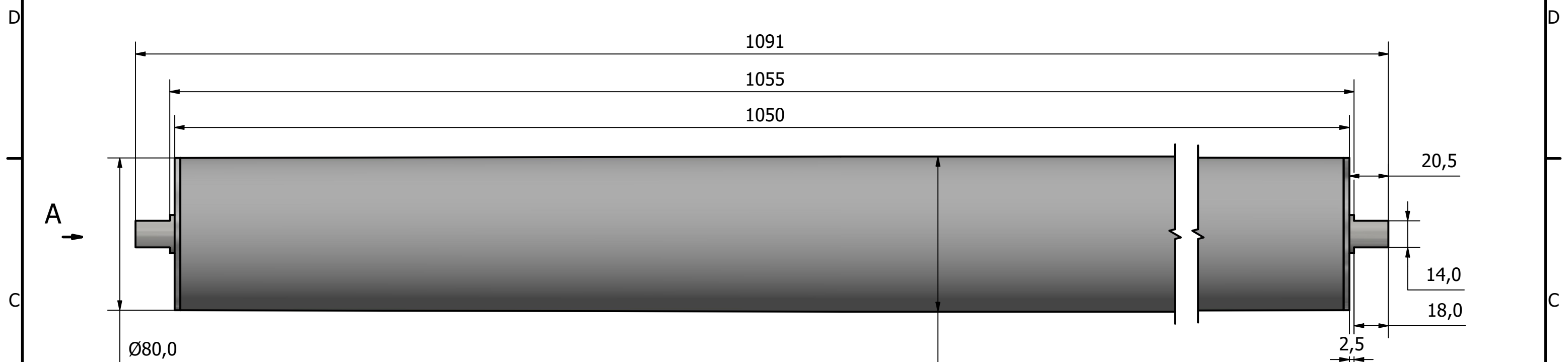
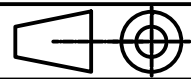



6 5 4 3 2 1



Designed by GUH	Checked by	Approved by	Date 13-04-2021	Date 13-04-2021	Design state:	 Sheet size: A3
Tolerance : acc. to DS/ISO 2768 - medium			Description:		Scale: 1:2	
			Part number: Scandrive S Ø80 RL1050		Sheet 1 / 1	

6 5 4 3 2 1