



3,000 V Three-Phase
200 kVA to 3,700 kVA¹

6,000 V Three-Phase
400 kVA to 7,500 kVA²

11,000 V Three-Phase
660 kVA to 12,000 kVA³

¹ Under development for 1,500 kVA or higher
² Under development for 3,000 kVA or higher
³ Under development

FSDrive-MV1000 Super Energy-Saving Medium-Voltage AC Drive

► Compact Design:

Significant downsizing and a draw-out design help this power cell facilitate transportation, installation, and maintenance. Long-life and highly reliable parts have been stringently selected, and the circuit design simplified for compactness. Drives have evolved into more reliable and space saving FSDrive-MV1000 drives.

► Energy Saving:

Promotes energy saving with highly efficient operation. FSDrive-MV1000 realizes the highest levels of efficiency and power factor in the industry. Significant energy saving effects can be achieved.

► High Performance:

Offering better performance, functionality, and reliability in low-and medium-voltage drives, and enabling stable continuous operation. Equipped with functions unaffected by fluctuations in power supply and load. Input and output are both sinusoidal waves. FSDrive-MV1000 can be easily introduced into either new or existing facilities without any qualms.

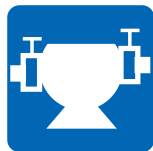
► User Friendly:

Operation, adjustment, maintenance, and management are very easy, as with Yaskawa low-voltage drives. FSDrive-MV1000 focuses on ease of use. Adopting the same user interface as Yaskawa low-voltage drives has made it easier to check the operating status and manage parameters.

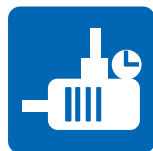
Applications



Fan



Pump



Compressor



Conveyor



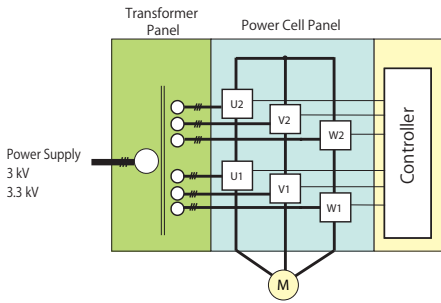
Extruder

YASKAWA Europe GmbH
 Drives & Motion Division
 Hauptstr. 185
 65760 Eschborn
 Germany
 Tel: + 49 (0) 6196-569 300
 Fax: + 49 (0) 6196-569 399
 info@yaskawa.eu.com
 www.yaskawa.eu.com

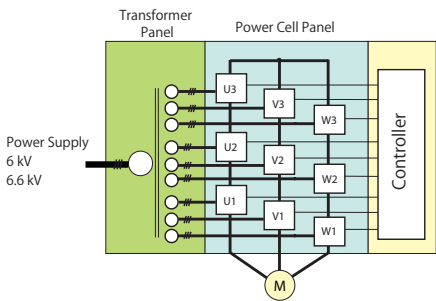


Standard Specifications

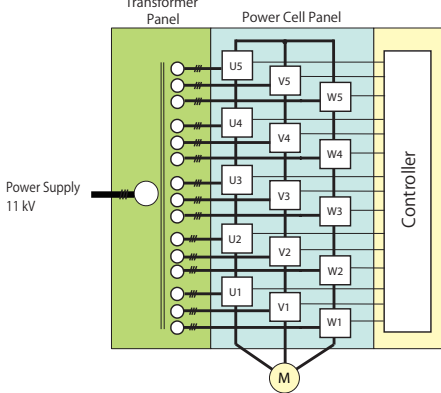
3-kV class



6-kV class

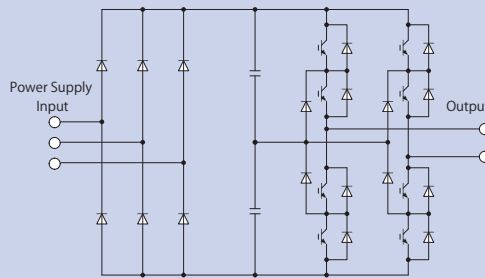


11-kV class



Maintenance of Individual Power Cells

● Configuration of One Power Cell



Features of FSDrive MV1000

- ▶ Minimal height and small footprint
- ▶ High-level control
- ▶ Controlled and secure operation at momentary power loss
- ▶ Control multiple motors
- ▶ Minimized harmonics input current as well as output voltage
- ▶ Easily applicable to existing motors
- ▶ High efficiency and high power factor
- ▶ Energy saving by speed control